



# Kollmorgen Applications

August, 2016

**KOLLMORGEN**®

*Because Motion Matters™*

- Industry: OEM - Packaging
- Opportunity: Plast Bag Making Machine  
T-Shirt Bag Making Machine
- Machine Components:
  - 1 axis
  - CNC Proteo MINI, IHM, Servomotor AKM, Servodrive AKD

Link Youtube: <https://www.youtube.com/watch?v=OLw9Dio9k9U>



# Packaging Segment

- Industry: OEM - Packaging
- Opportunity: PET Blowing Machines
- Machine Components:
  - From 4 to 8 axes
  - HMI, Controller PDMM, Servodrive AKD, Servomotor AKM, I/O, Cables

Link Youtube: <https://www.youtube.com/watch?v=UURfr7fCJqA>

In



Out





# Packaging Segment

- Industry: OEM - Packaging
- Opportunity: Vertical Fill, Form and Seal Machine
- Machine Components:
  - From 2 to 4 axes
  - HMI, Controller PDMM, Servodrive AKD, Servomotor AKM, I/O, Cables

Link Youtube: <https://www.youtube.com/watch?v=y9mq0eNlfWo>



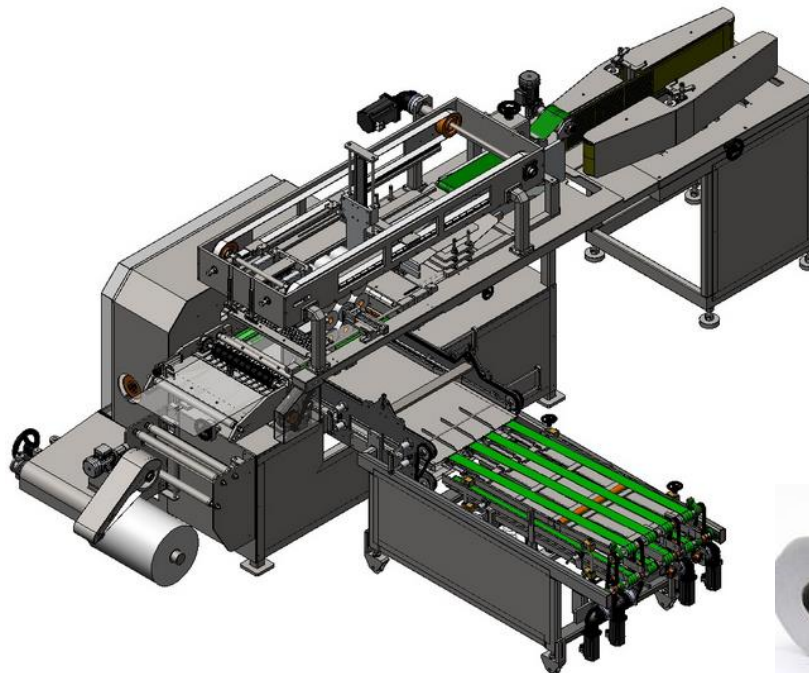
- Industry: OEM - Packaging
- Opportunity: Side Robot (Pick and Place Final Product from Injection Machine)
- Machine Components:
  - 3 axes
  - HMI, Controller PDMM, Servodrive AKD, Servomotor AKM, I/O, Cables

Link Youtube: <https://www.youtube.com/watch?v=bxTO4qAGqIM>



- Industry: OEMr - Packaging
- Opportunity: Hub Packaging Machine
- Machine Components:
  - From 2 to 12 axes
  - HMI, Controller PDMM, Servodrive AKD, Servomotor AKM, I/O, Cables

Link Youtube: <https://www.youtube.com/watch?v=iomhOTbk0-A>





# Packaging Segment

- Industry: End User - Packaging
- Opportunity: Thermoforming Machine
- Machine Components:
  - From 4 to 10 axes
  - HMI, Controller PDMM, Servodrive AKD, Servomotor AKM, I/O, Cables

Link Youtube: <https://www.youtube.com/watch?v=rBIS1sIK4wQ>



**Final Product**



# Metal Cutting Segment

- Industry: OEM – Metal Cutting
- Opportunity: Plasma Cutting Machine
- Machine Components:
  - 4 axes
  - CNC Proteo, Servodrive AKD, Servomotor AKM, Gearhead
  - Using Kollmorgen Controller (EtherCAT) or Hypertherm CNC (Sercos 3)

Link Youtube: <https://www.youtube.com/watch?v=Z3SuRbHC1cU>





# Material Forming Segment

- Industry: OEM – Material Forming
- Opportunity: Stone/Marble Cutting Machine
- Machine Components:
  - From 4 to 6 Axes
  - CNC Proteo, Servodrive AKD, Servomotor AKM, Gearhead

Link Youtube: <https://www.youtube.com/watch?v=P7zWDmrRrMg>



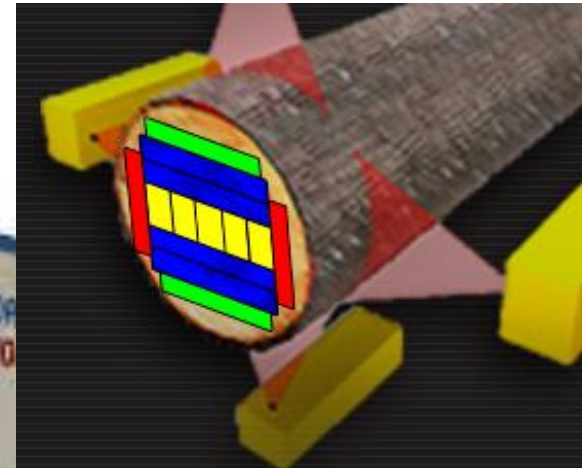
# Material Forming Segment

- Industry: OEM – Material Forming
- Opportunity: Wire Bending Machine
- Machine Components:
  - From 2 to 5 Axes
  - CNC Proteo PC, Servodrive AKD, Servomotor AKM



# Woodworking Segment

- Industry: OEM – Woodworking
- Opportunity: Wood Logs Processing - Sawmill
- Machine Components:
  - From 2 to 12 Axes
  - Servodrive AKD, Servomotor AKM





# Woodworking Segment

- Industry: OEM – Woodworking
- Opportunity: Wood Slicing Machine
- Machine Components:
  - 2 Axes
  - PDMM Controller, Servodrive AKD, Servomotor AKM

Link Youtube: <https://www.youtube.com/watch?v=Z82Zr90POck>



# Robot Segment

- Industry: OEM – Robotics
- Opportunity: Robot Retreading Machine
- Machine Components:
  - 4 Axes
  - Controller PDMM, Servodrive AKD, Servomotor AKM



# Robot Segment

- Industry: OEM – Robotics
- Opportunity: Ceramic Palletizer Robot
- Machine Components:
  - 4 Axes
  - Servodrive AKD, Servomotor AKM

Link Youtube:

<https://www.youtube.com/watch?v=jCLiTDruXns>





# Robot Segment

Because Motion Matters.™

- Industry: OEM – Robotics
- Opportunity: Delta Robot (Pick and Place)
- Machine Components:
  - 4 Axes
  - Servodrive AKD, Servomotor AKM



Link Youtube: <https://www.youtube.com/watch?v=OX804hm0eBI>

# Power Generator Segment

- Industry: OEM – Electric Power Generator
- Opportunity: Power Regulator Transformer
- Machine Components:
  - 1 x Synchronous Motor





**MCS**  
**KOLLMORGEN**

