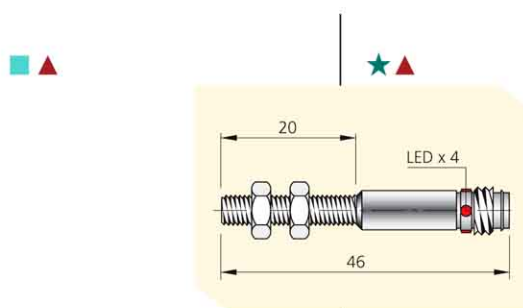
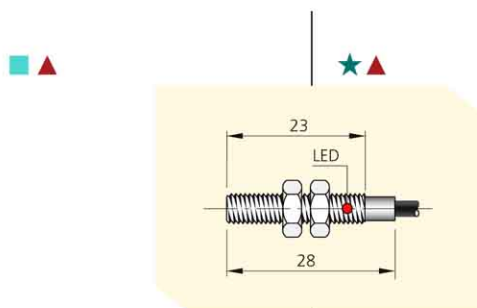


# SENSORI INDUTTIVI M5 x 0,5 • *INDUCTIVE SENSORS M5 x 0,5*



- CUSTODIA CILINDRICA - 3 FILI IN C.C. - ESECUZIONE-C
- *CYLINDRICAL HOUSING - 3 WIRES D.C. - VERSION-C*



<b>SI5 - CO.8 NPN NO</b> I45000011	<b>SI5 - DC1.5 NPN NO</b> I45000077	<b>SI5 - CO.8 NPN NO H1</b> I45000012	<b>SI5 - DC1.5 NPN NO H1</b> I45000078
<b>SI5 - CO.8 NPN NC</b> I45000009	<b>SI5 - DC1.5 NPN NC</b> I45000075	<b>SI5 - CO.8 NPN NC H1</b> I45000010	<b>SI5 - DC1.5 NPN NC H1</b> I45000076
<b>SI5 - CO.8 PNP NO</b> I45000015	<b>SI5 - DC1.5 PNP NO</b> I45000081	<b>SI5 - CO.8 PNP NO H1</b> I45000016	<b>SI5 - DC1.5 PNP NO H1</b> I45000082
<b>SI5 - CO.8 PNP NC</b> I45000013	<b>SI5 - DC1.5 PNP NC</b> I45000079	<b>SI5 - CO.8 PNP NC H1</b> I45000014	<b>SI5 - DC1.5 PNP NC H1</b> I45000080
0.8	1.5	0.8	1.5

6 ÷ 30

< 10

2000

≤ 3

150

< 10

< 1,4

Presente  
*Incorporated*

Presente  
*Incorporated*

- 25 ÷ + 70

67

In funzione del connettore  
*Depending on connector*

Acciaio inox  
*Stainless steel*

3 x 0.14 mm<sup>2</sup>

H1 (M8)

Vedi pag. 7 / *See page 7*

Vedi pag. 8 - fig. 4 / *See page 8 - pict. 4*

Vedi pag. 9 / *See page 9*